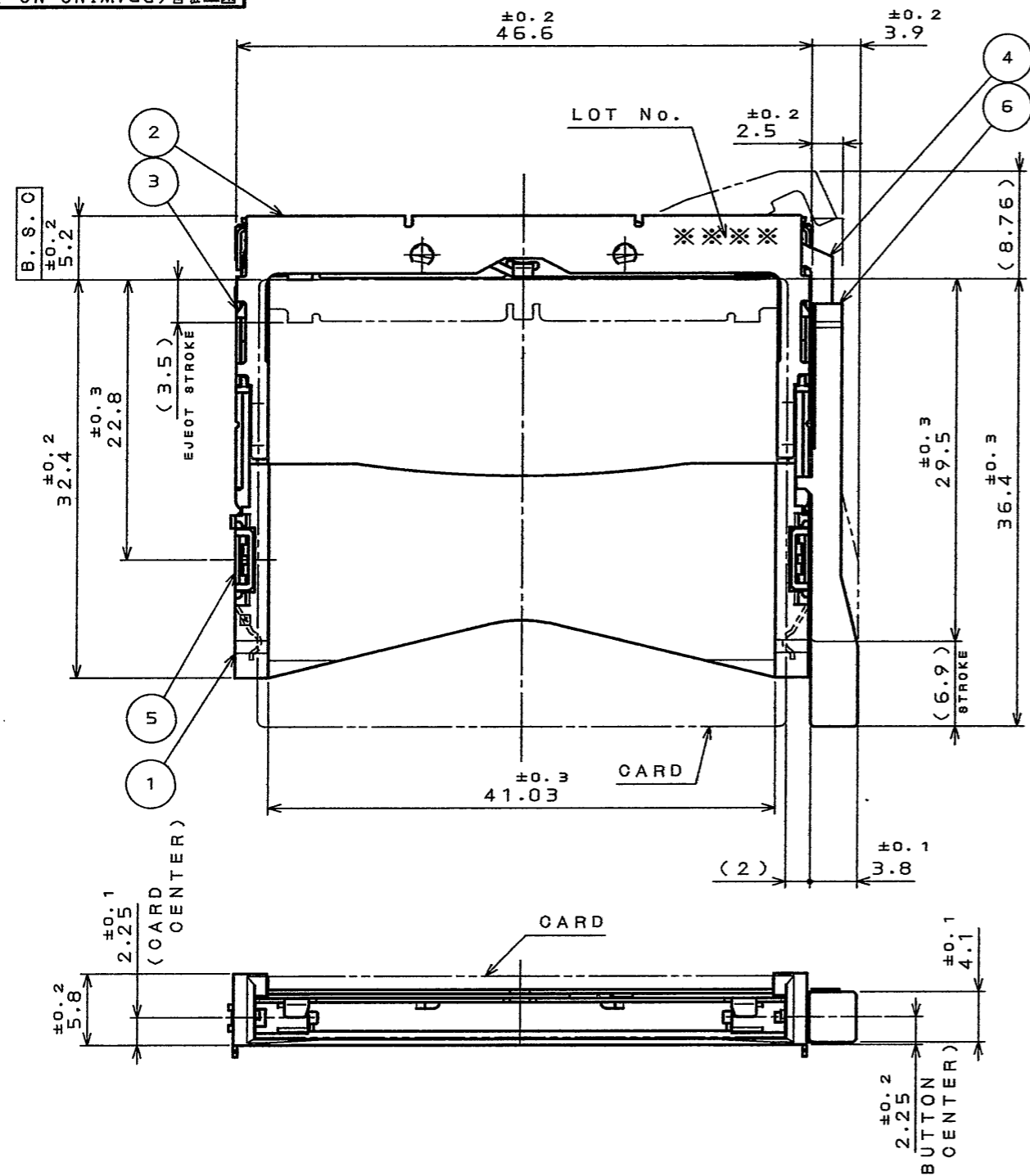


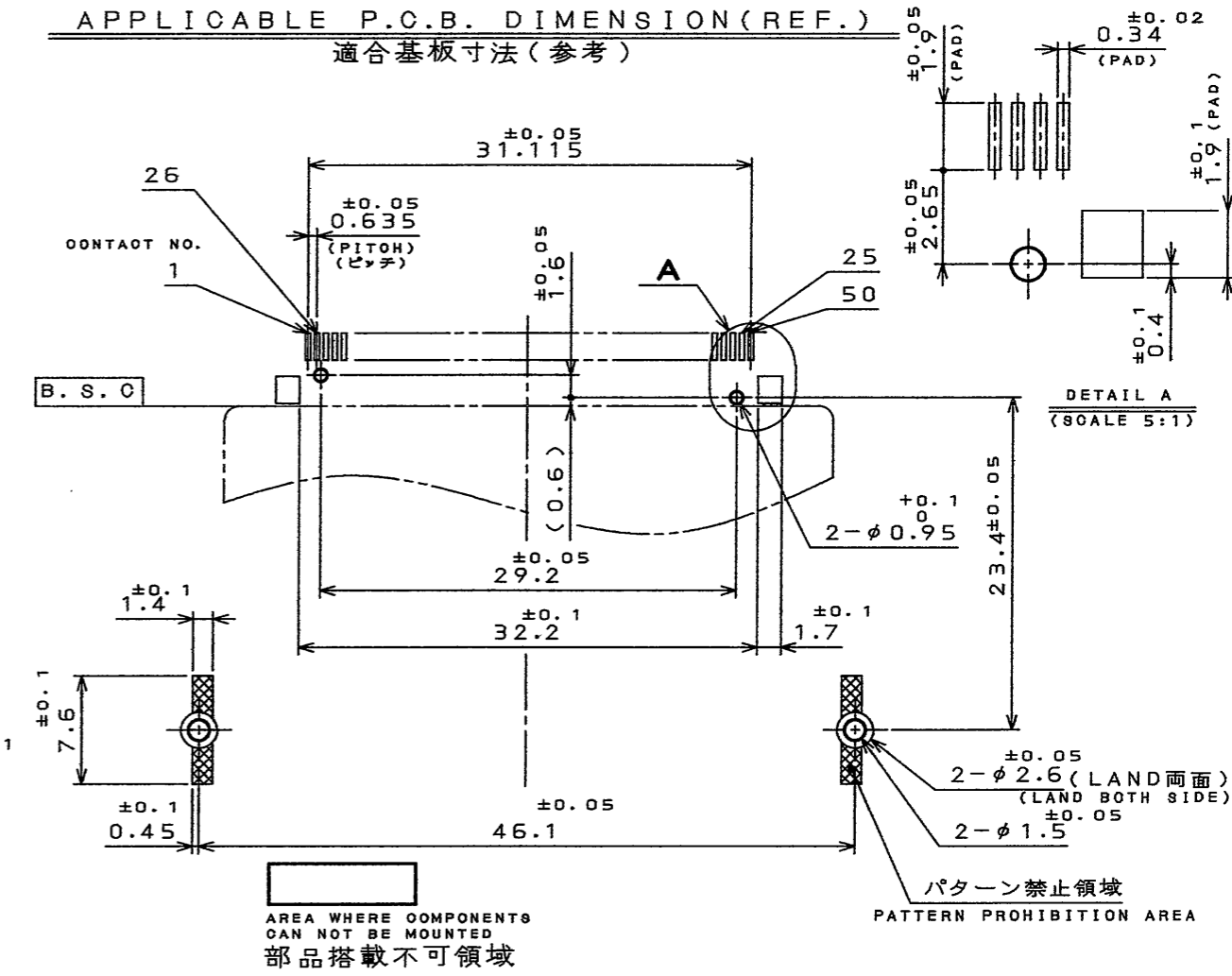
SJ100985

(DRAWING NO.) (回路図)

| 版数 REV. | 年月日 DATE | DCN NO. | 変更内容 DESCRIPTION | 製図 DR. | 担当 CHK. | 査閲 APPD. | 承認 APPD. |
|---------|----------|---------|------------------|--------|---------|----------|----------|
| | | | | | | | |



APPLICABLE P.C.B. DIMENSION (REF.)
適合基板寸法 (参考)



NOTE 1. THIS PRODUCTS ARE DESIGNED IN ACCORDANCE WITH COMPACT FLASH ASSOCIATION.
 2. PLEASE REFER TO JAHL-1504-8 FOR USING THIS PRODUCT.
 1. 本品は、コンパクトフラッシュ アソシエーションに準拠する。
 2. 本品を御使用時は、取扱説明書 (JAHL-1504-8) を御参照下さい。

JC26C2-FSM E
 SERIES (LEAD FREE) TIN/TIN ALLOY
 B: BASE F: FRAME
 STAND OFF NONE: 0mm 16: 1.5mm
 BUTTON R: RIGHT, TURN DOWN L: LEFT, TURN DOWN M: RIGHT, RIGID H: LEFT, RIGID
 KEY S: STANDARD R: REVERSE

| 符号 NO. | 名称 DESCRIPTION | 個数 QTY. | 材料 MATERIAL | 仕上 FINISH | 備考 REMARKS |
|--------|----------------|---------|------------------|---|----------------------|
| 6 | BUTTON | 1 | GLASS FILLED PBT | | COLOR:BLACK UL94 V-0 |
| 5 | EARTH LUG | 2 | COPPER ALLOY | SELECTIVE (LEAD FREE) TIN/TIN ALLOY OVER NICKEL | |
| 4 | LEVER | 1 | STAINLESS STEEL | | |
| 3 | PLATE | 1 | STAINLESS STEEL | | |
| 2 | COVER | 1 | STAINLESS STEEL | | |
| 1 | FRAME | 1 | GLASS FILLED PBT | | COLOR:BLACK UL94 V-0 |

| | | | | | | | |
|----------------------------|--|---------------------|--|--|--|---------------|--|
| 仕様書 (SPECIFICATION) | | 第1版 (ORIGINAL DATE) | | 尺度 (SCALE) | | シリーズ (SERIES) | |
| JACS-1504-8 JAHL-1504-8 | | 25.Mar.2004 | | 2:1 | | JC26C2 | |
| 公差 (GENERAL TOLERANCE) | | 製図 DR. | | 名称 (TITLE) | | | |
| 寸法 (DIMENSION) 角度 (ANGLES) | | M.ABE | | JC26C2-FSME | | | |
| . ±0.8 ° ± | | 担当 CHK. T.WADA | | JAE CONNECTOR DIV. PROPRIETARY. COPYRIGHT (C) 2004, JAPAN AVIATION ELECTRONICS INDUSTRY, LTD. | | | |
| .X ±0.4 °X ± | | 査閲 APPD. m. Sasaki | | | | | |
| .XX ±0.1 °XX ± | | 承認 APPD. A. Kimura | | | | | |
| .XXX ± | | 重量 (WEIGHT) | | 図面番号 (DRAWING NO.) | | | |
| | | | | SJ100985 | | | |

DOF-0-212E (03.06)

